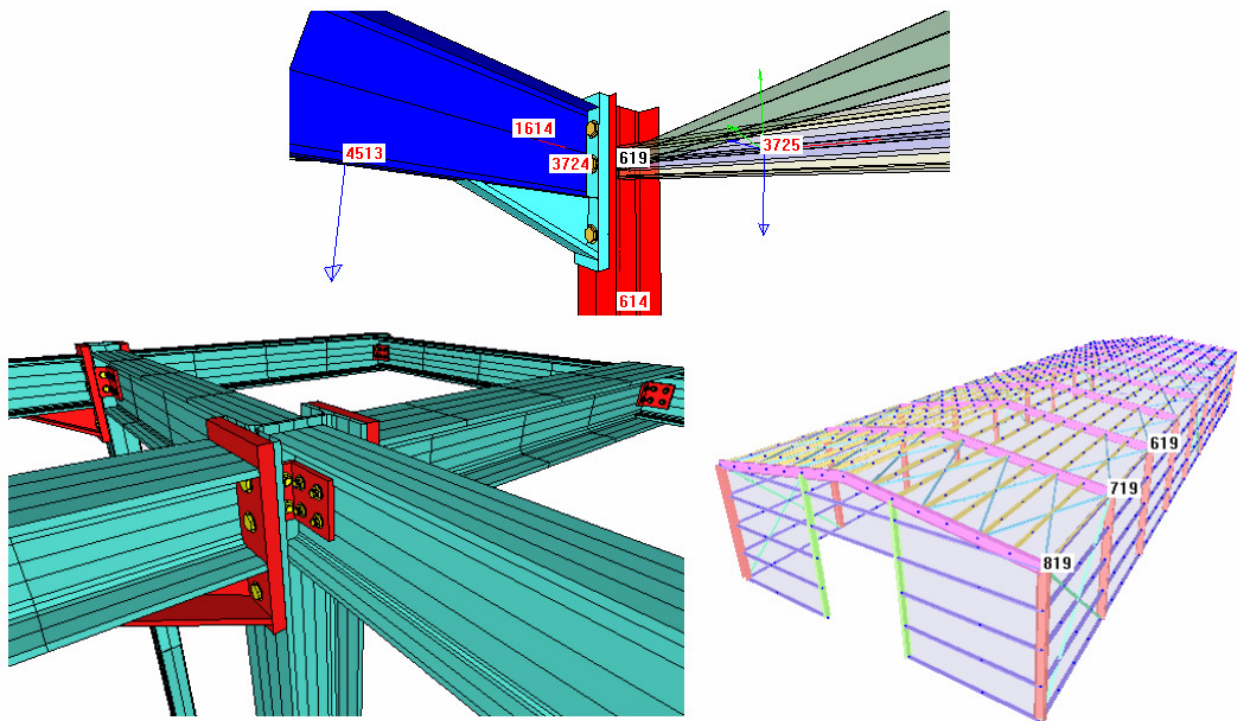


STeelCON

Bolted and welded steel connections design according to EC3 and DIN 18800

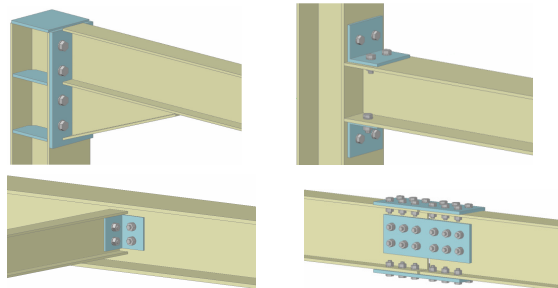
Design and optimization of connections for steel structures has never been that easy. From the structural model of SOFiSTiK analysis you can select all the nodes according to the connection between the steel members. STeelCON will automatically identify the correct position for each member in the connection for you. All the data can be selected using graphical interface such as SOFiSTiK animator or D.A.I.S.Y. and are later presented as a detailed image, or as text in grids, fully editable by the user. The user becomes familiar with the interface of the program from the very first use by using tools such as auto-refreshing connection drawings and distances check after every modification. The engineer gets informed about the exploitation of all the components of the connection and has full control in decreasing or increasing their capacities. The same connection can be designed for more than one node of the structural model and for all the loadcases, presenting all results on screen in every detail.



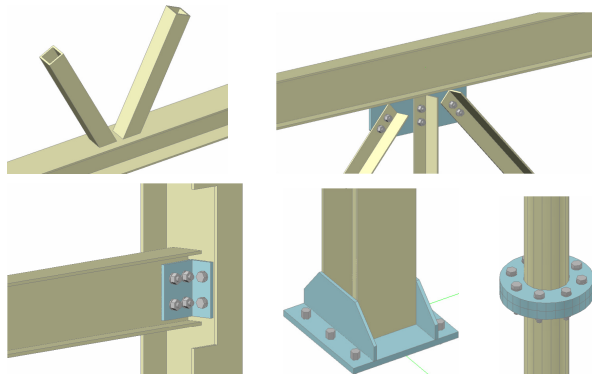
Performance characteristics

Connection Types

- Moment frame connections. Connections of this type may be welded or bolted using end plate (extended or flush) or using angle cleats.
- Many types of stiffener plates can be used such as column web stiffeners, column flange stiffeners, horizontal or diagonal stiffeners
- Rotational and strength stiffness are being calculated
- Unlimited configuration variations may be produced



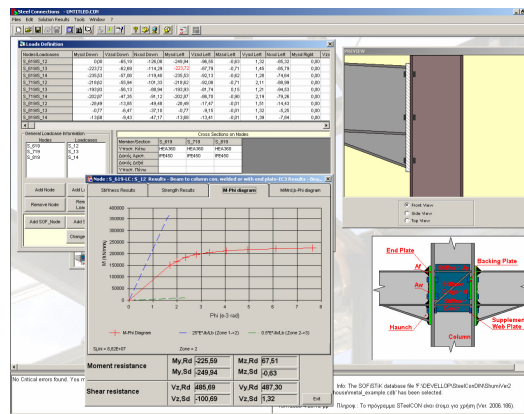
- Shear connections using angle cleats.
- I-Type beam splice connection. This connection may be bolted, welded or mixed (bolted at one side and welded on the other).
- Hollow section lattice girder connection of type K and N. The chord of the connection may be I, H, UPN, or hollow section circular or rectangular. The braces may be hollow section circular or rectangular. In addition there is the ability to select between overlapped or gapped braces.
- Gusset plate connections. The members can be connected in both sides of the gusset plate and may have eccentricity. The program calculates moment, shear and axial forces due to eccentricity of the connected members.



- Column base connections. The program covers both moment and shear connections. The user may select from 2 (pinned connection) to 8 anchors of three different types or user defined ones. He also may select to use stiffener plates and a shear element below the base plate.
- Tubes splice connections. The program calculates the interaction of all internal forces including torsional moment. The results of the equilibrium and welds stresses are graphically presented.

Calculation

- The calculation, solution and dimensioning procedure for the different type of connections are based on EC3, annex J, K, L of EC3, or on DIN18800 according to users' preferences.



Results output

- All the results can be exported in RTF files and edited by any word processor, as the embedded in STSteelCON STCONView, Microsoft Word etc.
- Also the user can select to export the results in .plb format for the SOFiStiK Ursula document manager.
- A basic theory chapter is added to the report for every connection together with the results and connection and loadcase drawings.
- The user can define the depth of detail that will be presented in the printouts. The detail drawings of all the connection types can be exported to any CAD system by using the DXF protocol.
- For each connection STSteelCON generates all the necessary views and shop drawings for all the members and plates that are participating.
- All the necessary layers and linetypes are automatically generated, and the user can select between standard or custom scales.